

37 Draw Latch

Flexible · Over-center · Lever assist

Features

- Flexible body compensates for misalignment
- Absorbs and reduces vibration
- Detent lever resists accidental opening

Material

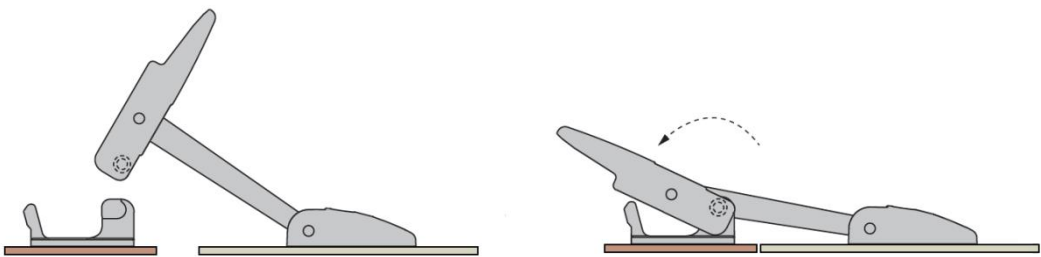
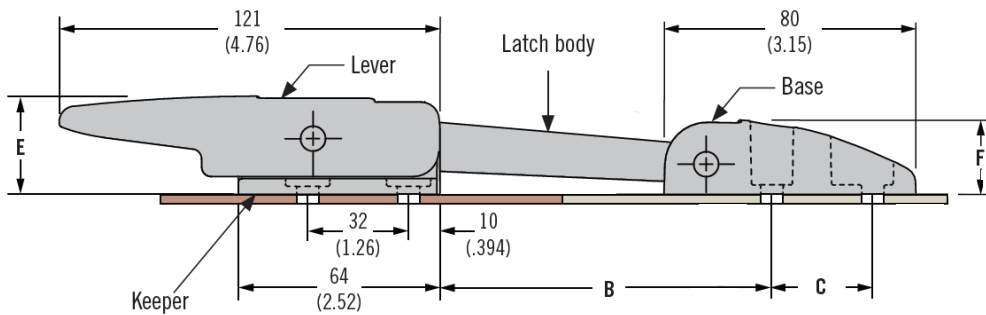
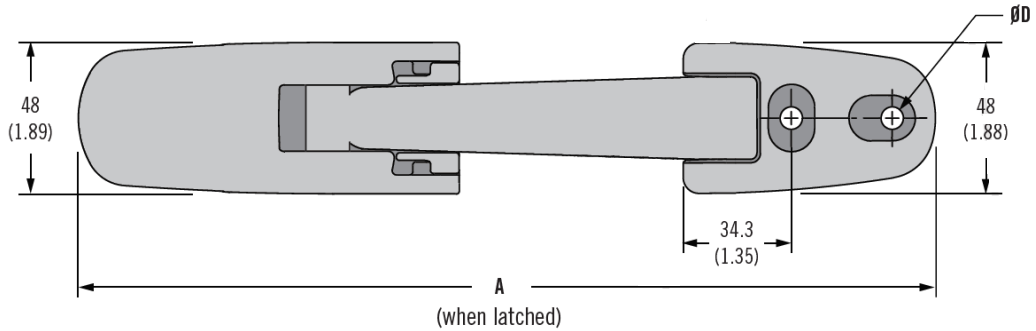
- EPDM rubber and glass-filled nylon black with stainless steel pins

Product Performance

- Clamping forces up to 475 N

Notes

- For $\varnothing D = 5.5$, install using M5 screws (not supplied)
- For $\varnothing D = 6.6$, install using M6 screws (not supplied)



Part Number	Nominal Clamp Force N (lbf)	Dimensions					
		A	B	C	$\varnothing D$	E	F
37-30-294-60	110 (25)	254 (10)	97 (3.82)	25.4 (1.00)	5.5 (.217)	31.1 (1.22)	23.5 (.93)
37-30-297-60	190 (43)	379 (15)	222 (8.74)				
37-40-295-60	350 (79)	300 (12)	144 (5.67)	32 (1.25)	6.6 (.260)	38.6 (1.52)	29 (1.14)
37-40-305-60	520 (117)						